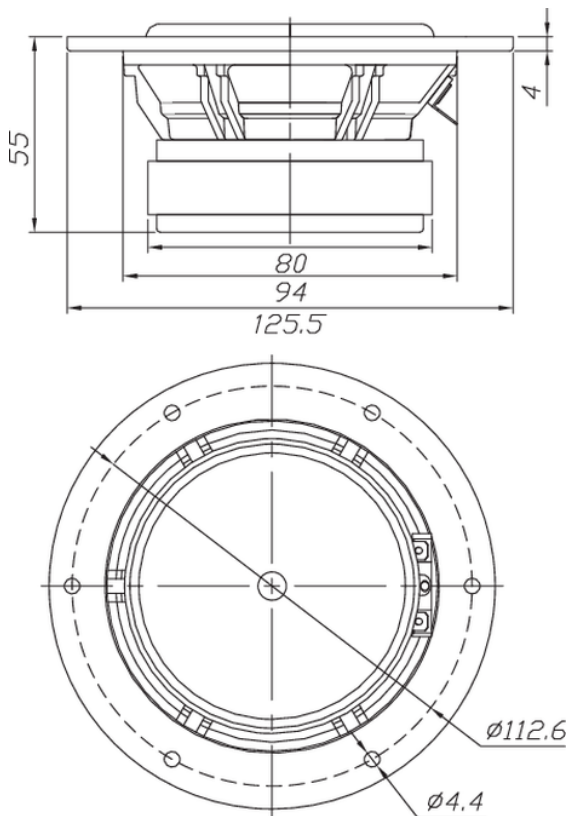




RS125P-4 5" Reference Paper Woofer 4 Ohm

RS125P-4



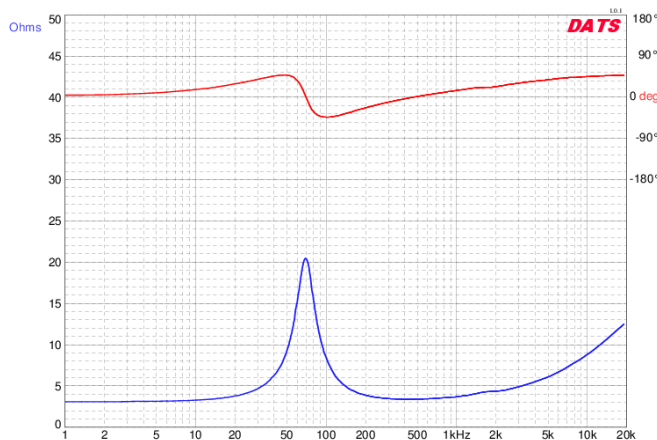
PARAMETERS

Impedance	4 ohms
Re	3.1 ohms
Le	0.32 mH @ 1 kHz
Fs	70 Hz
Qms	3.19
Qes	0.57
Qts	0.48
Mms	5.1g
Cms	1.02 mm/N
Sd	54.11 cm ²
Vd	21.64 cm ³
BL	3.49 Tm
Vas	3.98 liters
Xmax	4 mm
VC Diameter	25 mm
SPL	90 dB @ 2.83V/1m
RMS Power Handling	30 watts
Usable Frequency Range (Hz)	70 - 12,000 Hz

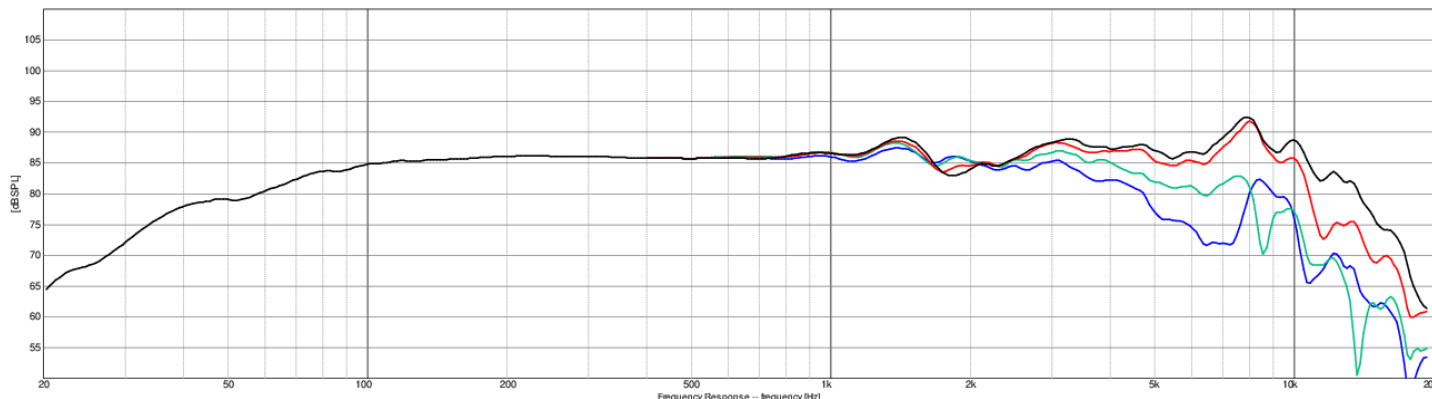
FEATURES

- Three-part paper composite diaphragm featuring paper, Kevlar, and glass fibers
- Similar cosmetics and design features as original Reference Series with low-distortion motor, 6-hole cast frame, rubber surround, and solid aluminum phase plug
- Perfect for use as a woofer, midwoofer, or dedicated midrange driver

IMPEDANCE/PHASE



FREQUENCY RESPONSE



Note: 1/24th octave smoothing - nearfield response included in graph below 450 Hz.

Black = 0°
Red = 15°
Green = 30°
Blue = 45°