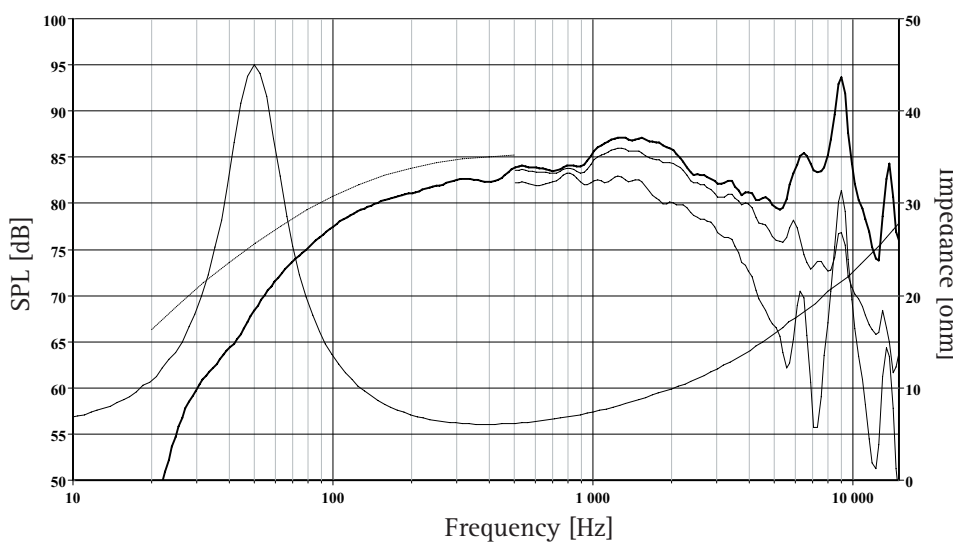
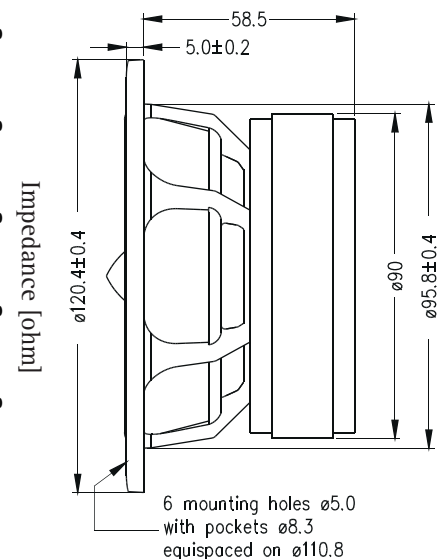


L12RCY/P is a 4.5" High Fidelity mini woofer with a stiff and stable injection moulded metal chassis. The stiff, yet light aluminum cone and the low loss rubber surround show no sign of the familiar 500-1500 Hz cone edge resonance and distortion associated with soft cones. On the other hand, the cone break up modes at higher frequencies call for special attention in the crossover design work. The high temperature voice coil wound on an aluminum voice coil former gives high power handling capacity. A bullet shaped phase plug reduces compression due to temperature variations in the voice coil, avoids resonance problems which would occur in the volume between the dust cap and the pole piece and increases the long term power handling capacity. An extra large magnet provides high efficiency and low Q.

The unit may be used in very small two-way ported systems producing an astonishingly deep bass and a clean, neutral midrange.



The frequency responses above show measured free field sound pressure in 0, 30, and 60 degrees angle using a 20L closed box. Input 2.83 VRMS, microphone distance 0.5m, normalized to SPL 1m. The dotted line is a calculated response in infinite baffle based on the parameters given for this specific driver. The impedance is measured in free air without baffle using a 2V sine signal.



Nominal Impedance	8 Ohms	Voice Coil Resistance	5.5 Ohms
Recommended Frequency Range	55 - 3500 Hz	Voice Coil Inductance	0.76 mH
Short Term Power Handling *	200 W	Force Factor	6.1 N/A
Long Term Power Handling *	70 W	Free Air Resonance	50 Hz
Characteristic Sensitivity (2,83V, 1m)	85.5 dB	Moving Mass	6.8 g
Voice Coil Diameter	26 mm	Air Load Mass In IEC Baffle	0.21 g
Voice Coil Height	12 mm	Suspension Compliance	1.5 mm/N
Air Gap Height	6 mm	Suspension Mechanical Resistance	0.94 Ns/m
Linear Coil Travel (p-p)	6 mm	Effective Piston Area	50 cm ²
Maximum Coil Travel (p-p)	9 mm	VAS	5 Litres
Magnetic Gap Flux Density	1.1 T	QMS	2.34
Magnet Weight	0.42 kg	QES	0.33
Total Weight	1.21 kg	QTS	0.29