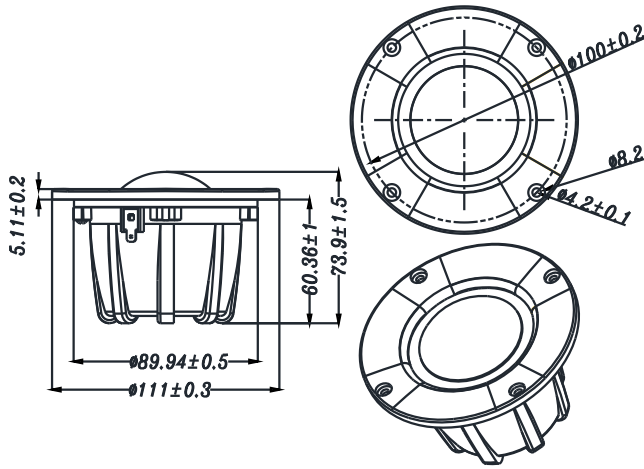


M

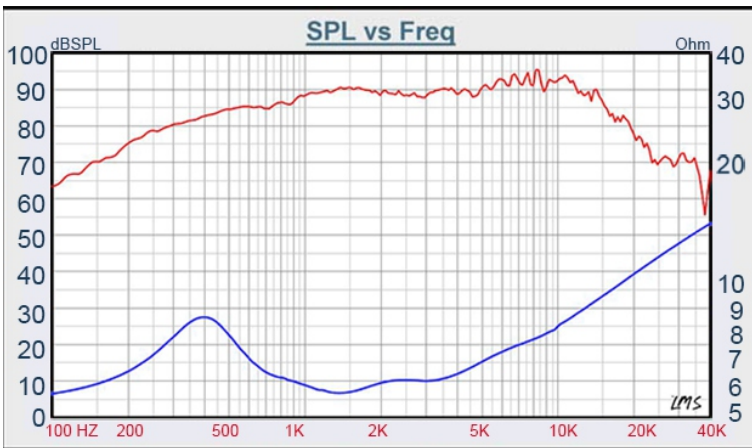
SERIES

50-1426SE



- SOFT FABRIC DOME DIAPHRAGM COATED WITH HIGH LOSS MATERIAL
- FERROFLUID COOLED
- ENGINEERING PLASTIC BACK CHAMBER
- NEODYMIUM MAGNET DESIGN
- LOW 2nd&3rd DISTORTION

50mm FABRIC DOME MIDRANGE



DIAPHRAGM MTL	Fabric
SURROUND MTL	N/A
NOMINAL IMPEDANCE	6 Ω
DCR IMPEDANCE	5.6 Ω
SENSITIVITY 1W/1m	90 dB
FREQUENCY RESPONSE	500 -10K Hz
FREE AIR RESONANCE	500 Hz
VOICE COIL DIAMETER	52 mm
AIR GAP HEIGHT	4 mm
RATED POWER INPUT	20 W
MAXIMUM POWER INPUT	150 W
FORCE FACTOR, BL	N/A
TYPE OF MAGNET	Neodymium
MOVING MASS	N/A
FERROFLUID ENHANCED	Yes
SUSPENSION COMPLIANCE	N/A
EFFECTIVE PISTON AREA	N/A
Levc	0.025 mH
Zo	11 Ω
X-max	0.65 mm
Vas	N/A
Qts	0.46
Qms	0.91
Qes	0.92



VOICE: 886.2.26570282 FAX: 886.2.26580166
E-MAIL: info@tb-speaker.com6